

leboulch



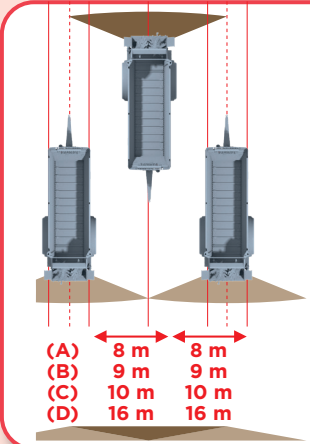
www.leboulch.com

GOLIATH evolution

PROFESSIONAL MUCK SPREADER FOR CONTRACTORS



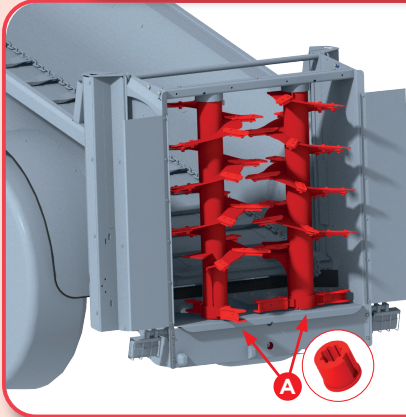
Leboulch, experience and sturdiness for the most demanding farmers!



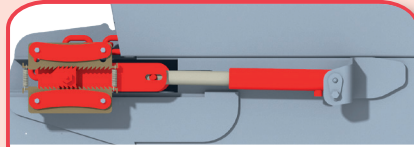
Crossing widths
(variable according to the material spread):
(A) 8 m (standard)
(B) 9 m with spoon knives
(C) 10 m with spreading discs
(D) 16 m with Compostar



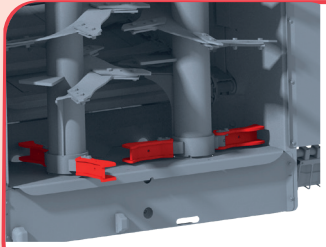
Composting canopy



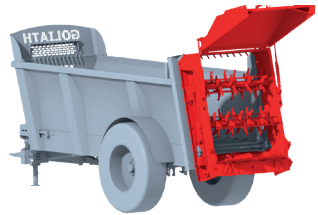
Ø 900 mm beaters and 10 mm spirals
 Beaters with centralised lubrication.
 Galvanised deflectors with sharp edges for cutting string.
(A) Wear ring under the beaters.



Hydraulic moving floor tensioner with automatic tensioning safety device.



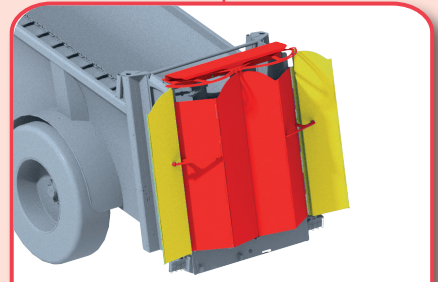
Removable blades on wear ring for improved crumbling.



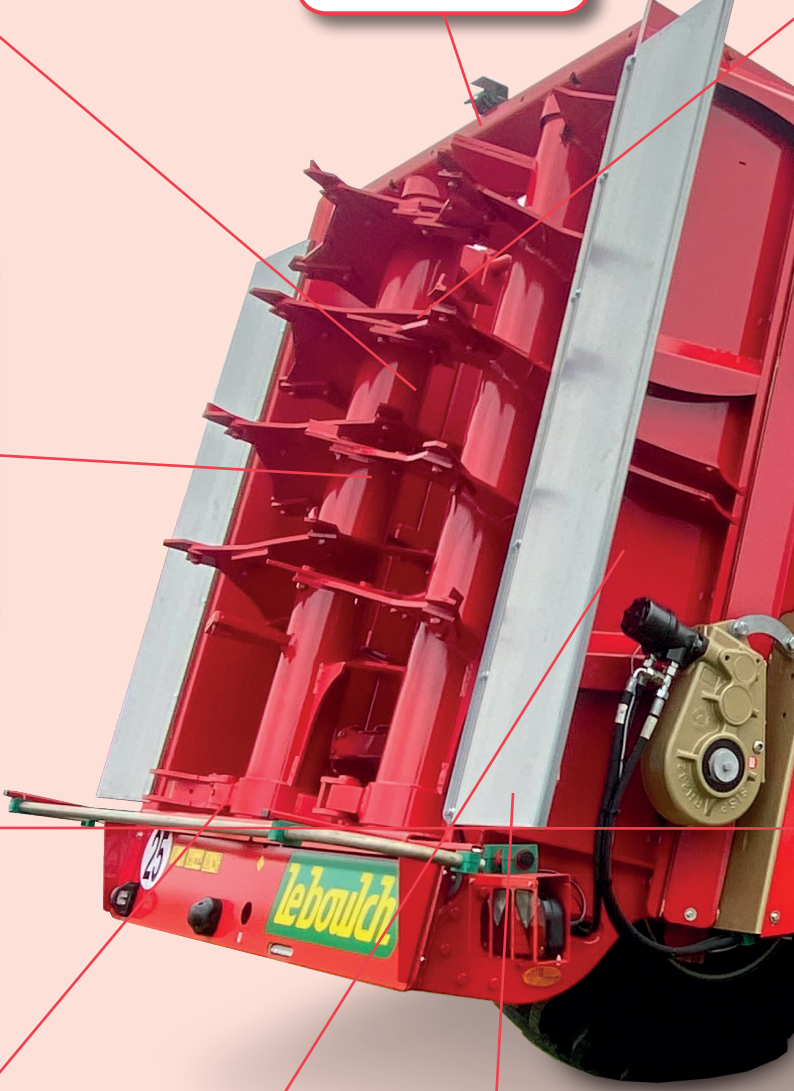
Discs

Compostar spreading table* for a wider, more even distribution of all effluent types.

*2 horizontal beaters with bolted digging blades, 2 deflectors at the base and hydraulically opening canopy.

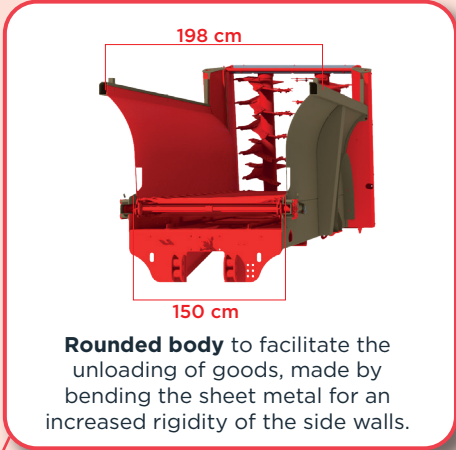


Safety protection for on the road





Reversible interchangeable blades in HARDOX 450



Rounded body to facilitate the unloading of goods, made by bending the sheet metal for an increased rigidity of the side walls.

Simplified DPA with LB 500 control box



Precise DPA with LB 4000 control box

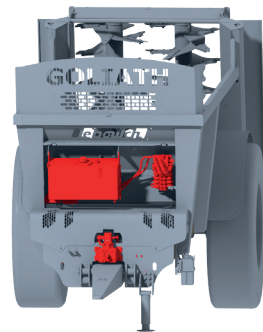


DPA (proportional flow): automatic regulation of the moving floor speed according to the door opening (except LB 500) and driving speed.

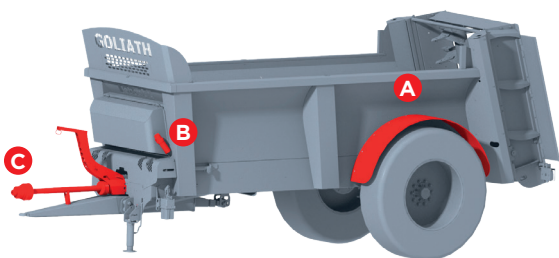


Digital work counter

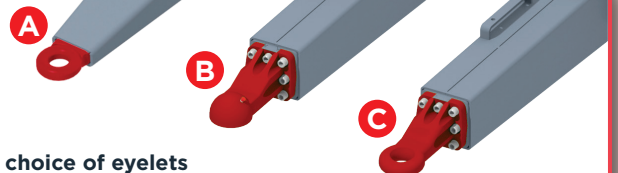
Headboard with self-cleaning grate.



Hydraulic installation with electric control, 140 l tank and electrohydraulic system protected under the hood.



(A) Steel mudguards
(B) Document tube with individualised spare parts book
(C) Hose holder and wide-angle P.T.O.-shaft with cam security.



Wide choice of eyelets

- (A) Welded Ø 50 mm (standard)
- (B) Bolted knee-joint (option)
- (C) Bolted Ø 50 mm (option)



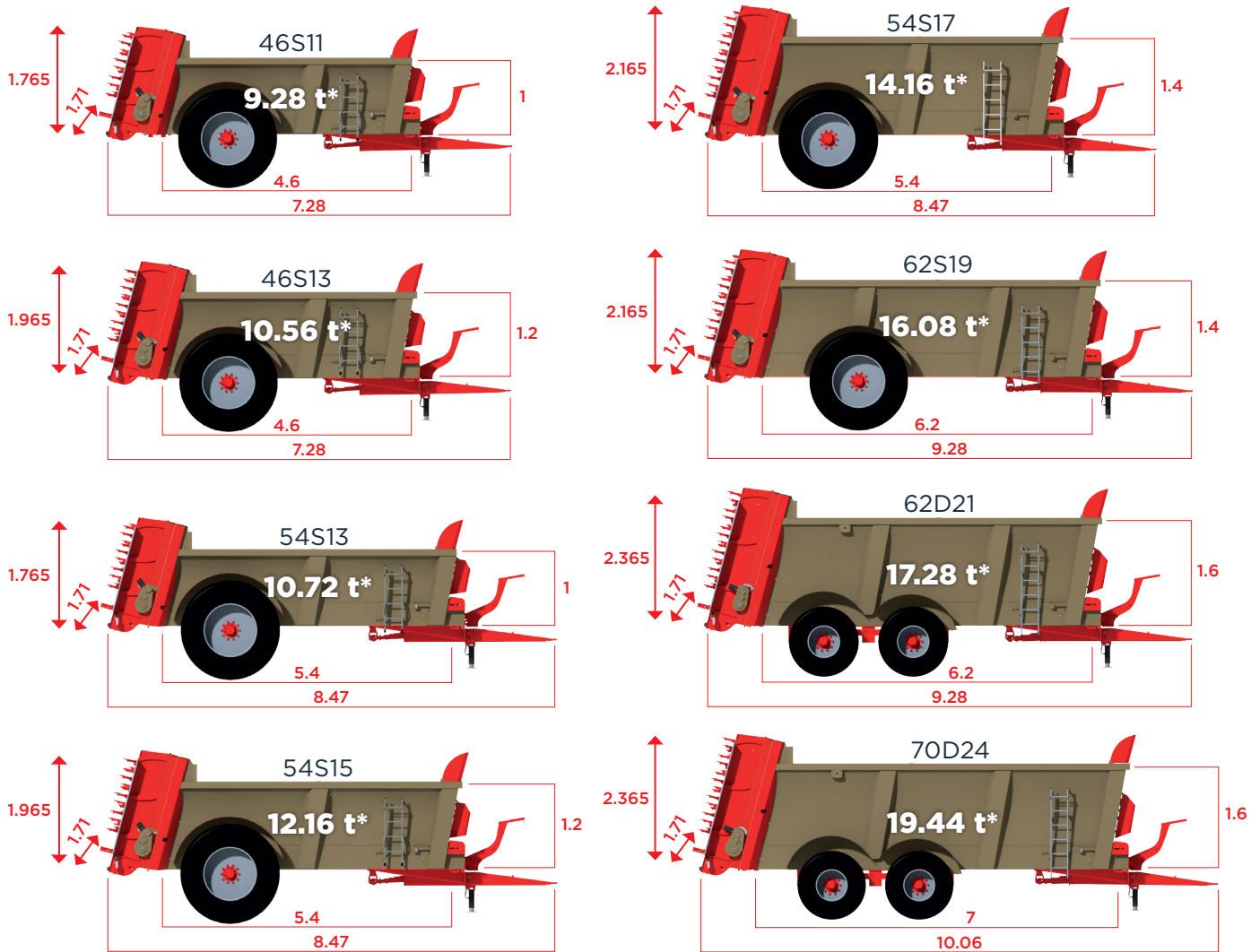


GOLIATH

evolution

- ✓ Single or double axle, from 10.7 to 24.3 m³
- ✓ Designed to withstand the toughest working conditions over time
- ✓ COMPOSTAR spreading table (optional)

The dimensions below are given in meters (m).



*Capacity (in t) for manure with a density of 0.8 t/m³.

Goliath, a muck spreader that nothing stops!



JLB leboulch

Route de Guernanville, 27330 La Vieille-Lyre (France)

Tel.: +33 2 32 30 67 47

E-mail: info@leboulch.com

www.leboulch.com

